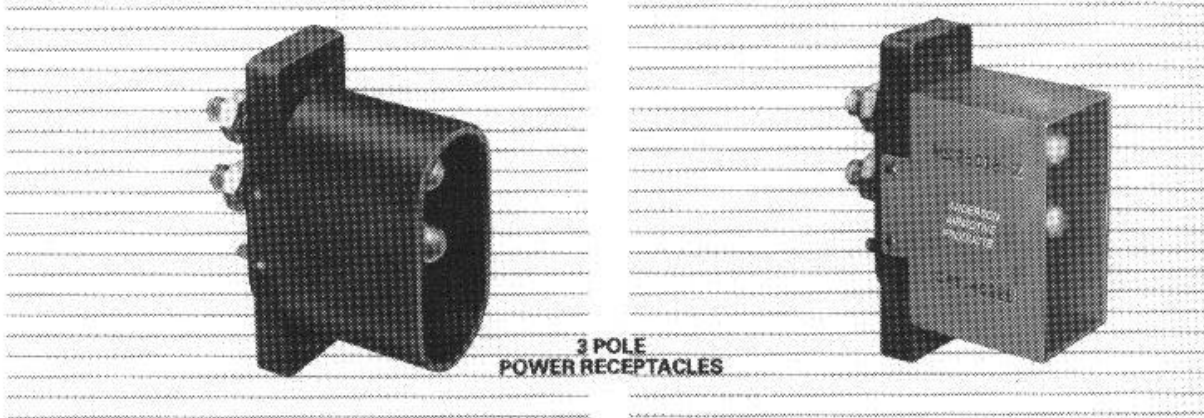


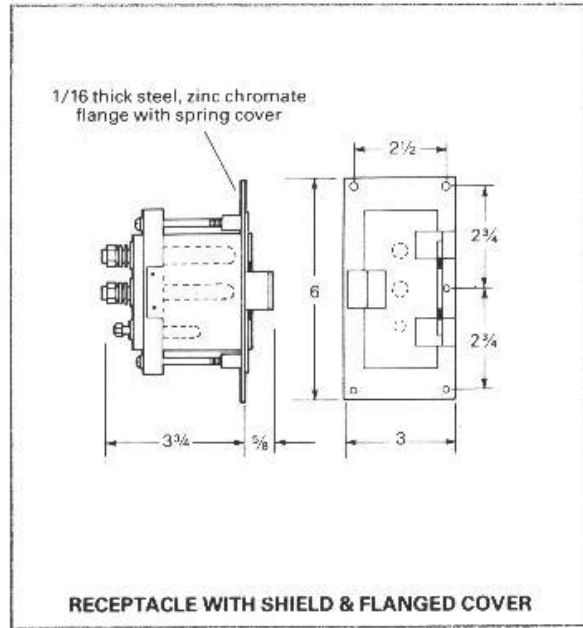
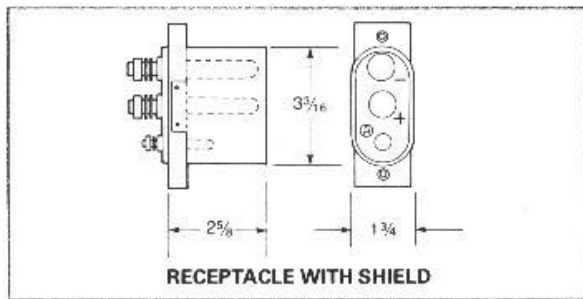
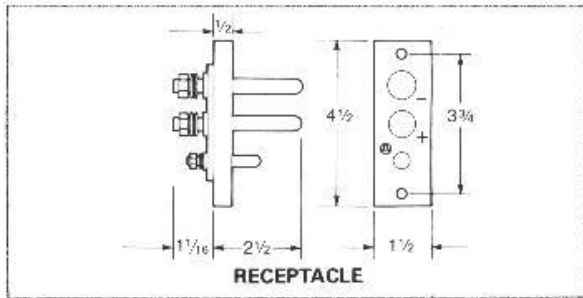
POWER RECEPTACLE 3-POLE



Anderson power receptacles are manufactured to specification MIL-C-81790. Bases are molded of glass-reinforced material for low moisture absorption and high strength. The copper power and brass control contacts are machined and silverplated to MS tolerances.

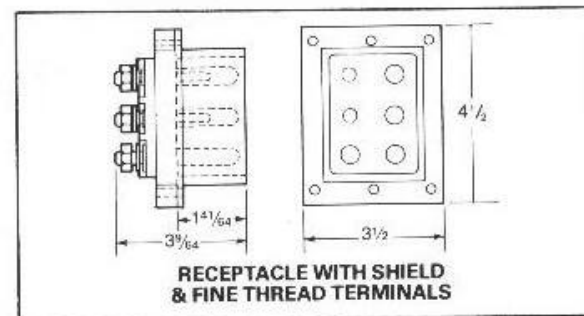
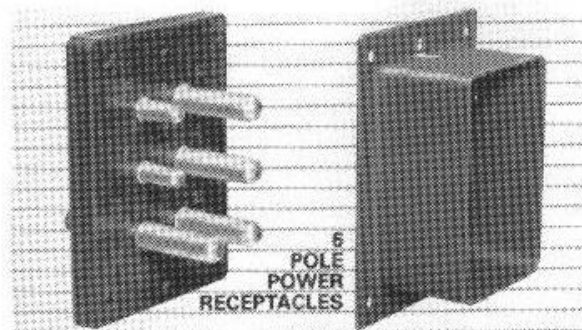
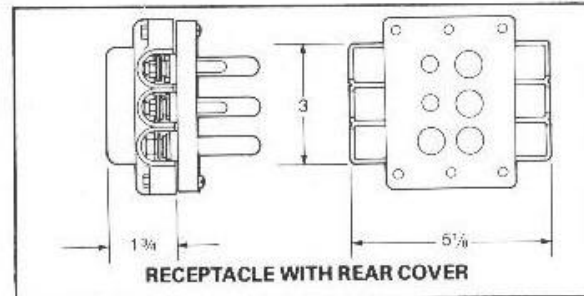
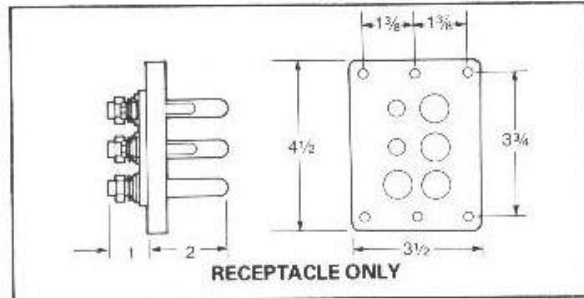
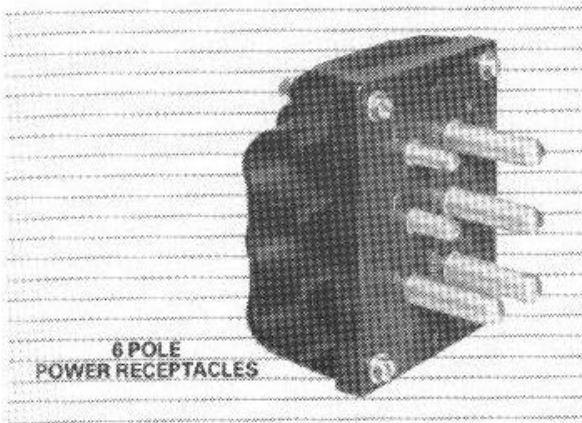
The shield, when applicable, is of anodized aluminum to guide plug insertion and guard against misalignment.

Studs and contact nuts for lug connections are located at the rear of the receptacle.



Description	Anderson Catalog Number	Government Reference Number	Mating Plug & Cable Assemblies
Receptacle	4622B	-----	Series R64 Plug
Receptacle w/Qval Shield	4621 B	MS3506-1	Series R65 (MS25488)
Receptacle w/Oval Shield & Flanged Cover	4650B	-----	(MS90347) Cable Assembly
Receptacle with Rectangular Shield	4632B	MS25018-2	Series R71 Plug (MS25487)
Receptacle w/Rectangular Shield & Flanged Cover	4651B		(MS25019) Cable Assembly

POWER RECEPTACLES 6-POLE



Description	Anderson Catalog Number	Government Reference Number	Mating Plug and Cable Assemblies
Receptacles Only	4627B	MS90362-3	
Receptacle w/Rear Cover and Shield	4628B	MS90362-4	Series R67 Plug
Receptacle w/Shield and Fine Thread Terminals	4631B	MS90362-1	MS25486
Rear Cover Only	4633B	MS3505-1	
Shield Only	4654B	MS17845-1	Cable Assembly MS90328
Receptacle w/Rear Cover, Shield and Hinged Snap Front Cover	4652B	-----	
Hinged Snap Cover and Shield	4652G2B	-----	Cable Assembly MS90328

Power Terminal Studs have 3/8-24 thread. Control terminal studs have 10-32 N.F. thread.

All dimensions are in inches and for reference only; they should not be used for layout work. Specific details will be furnished on request.