

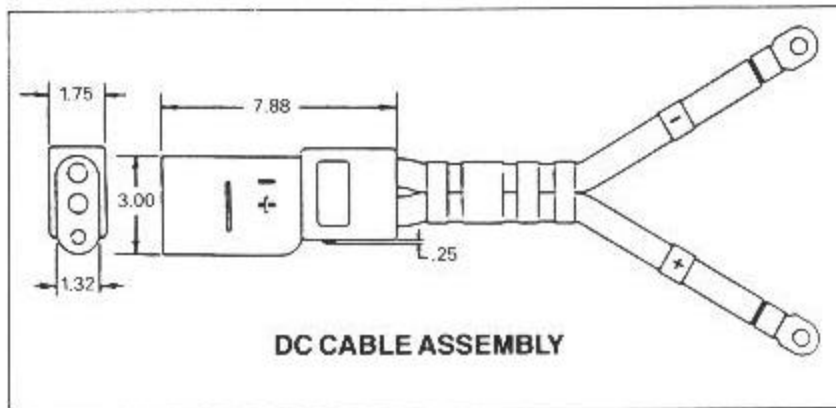
AIRCRAFT CABLE ASSEMBLIES

Attachable and Molded Assemblies for D. C. Applications

Anderson offers a complete line of cable assemblies for ground power applications, in addition to ATTACHABLE® aircraft connectors.

Cable assemblies are available with either attachable or integrally molded connectors.

All Anderson cable assemblies feature silver plated copper alloy contacts and military qualified cable. Our 400 H.Z. molded connectors include a nylon insulating sleeve around the power contacts. This reduces the danger of exposed contacts if the head becomes worn . . . an Anderson exclusive.



Catalog No.	Length Ft.	Description	Connector	Military Part No.
R65G1E-20A	20	2-1/0 AWG Single Conductors, No Control Lead, Silver Plated Contacts, And Non-Metallic Bands.	Attachable	MS90347-7A
R65G1E-30A	30			MS90347-8A
R65G1E-20M	20		Molded	MS90347-7M
R65G1E-30M	30			MS90347-8M
R65G2E-20A	20	2-2/0 AWG Single Conductors, No Control Lead, Silver Plated Contacts, And Non-Metallic Bands.	Attachable	MS90347-13A
R65G2E-30A	30			MS90347-14A
R65G2E-20M	20		Molded	MS90347-13M
R65G2E-30M	30			MS90347-14M
R65G3E-20A	20	2-4/0 AWG Single Conductors, No Control Lead, Silver Plated Contacts, And Non-Metallic Bands.	Attachable	MS90347-19A
R65G3E-30A	30			MS90347-20A
R65G3E-20M	20		Molded	MS90347-19M
R65G3E-30M	30			MS90347-20M

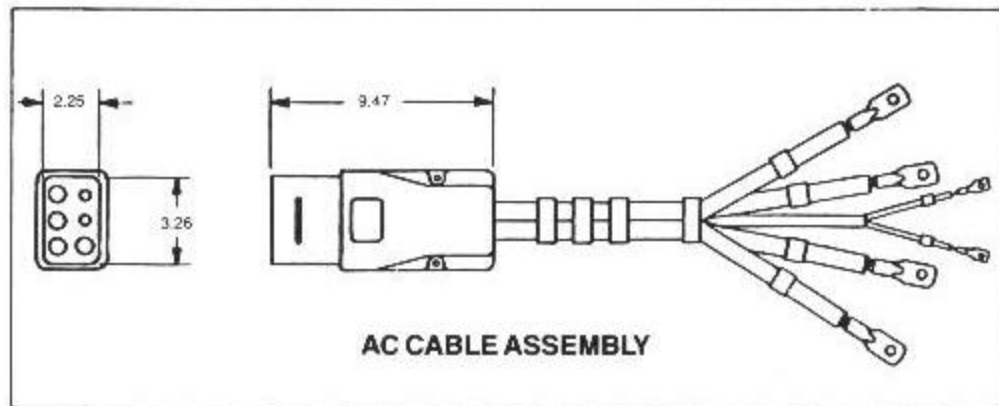
AIRCRAFT CABLE ASSEMBLIES

Attachable and Molded Assemblies for A.C. Applications

Cable assemblies are fabricated to the exacting requirements of Mil-C-7974C. Anderson Airmotive Products is a qualified source of supply for MS25019, MS90328, and MS90347 assemblies.

In addition, Anderson can supply special cable configurations or lengths to meet your requirements. Contact the factory or your local Authorized Distributor for additional information.

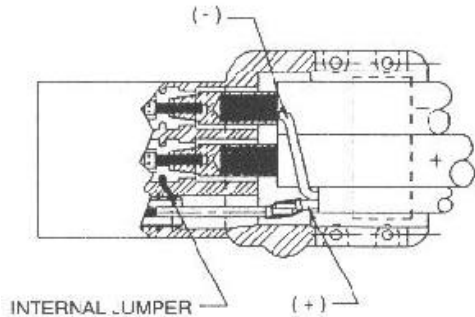
ATTACHABLE® is a registered trademark of Anderson Airmotive Products.



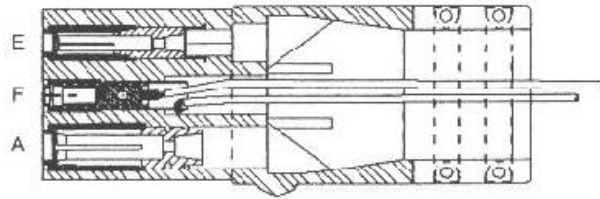
Catalog No.	Length Ft.	Description	Connector	Military Part No.	
R67G4E-30A R67G4E-60A	30 60	4-1/0 AWG Single Conductors, No Control Lead, E and F Shunted in Plug, Silver Plated Contacts, And Non-Metallic Bands.	Attachable.	MS90328-14A MS90328-16A	
R67G4E-30M R67G4E-60M	30 60			Molded	MS90328-14M MS90328-16M
R67G5E-30A R67G5E-60A	30 60		4-1/0 AWG Single Conductors, 1-12/2 Control Lead, Silver Plated Contacts, And Non-Metallic Bands.	Attachable	MS90328-26A MS90328-28A
R67G5E-30M R67G5E-60M	30 60			Molded	MS90328-26M MS90328-28M
R67G21 E-30A R67G21 E-60A	30 60	4-2/0 AWG Single Conductors, No Control Leads, E and F Shunted in Plug, Silver Plated Contacts, And Non-Metallic Bands.	Attachable	M590328-20A M590328-22A	
R67G21 E-30M R67G21 E-60M	30 60			Molded	MS90328-20M MS90328-22M
R67G36E-30A R67G36E-60A	30 60		4-2/0 AWG Single Conductors, 1-12/2 Control Lead, Silver Plated Contacts, And Non-Metallic Bands.	Attachable	MS90328-32A MS90328-34A
R67G36E-30M R67G36E-60M	30 60			Molded	MS90328-32M MS90328-34M

Split Control Contacts

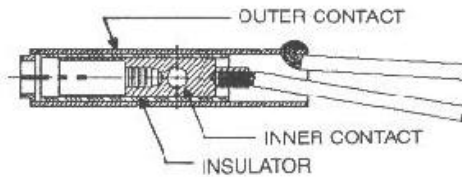
Sensing Lead ATTACHABLE®



R72 DC CONNECTOR
W/SPLIT CONTROL CONTACT



R67 GS AC CONNECTOR
W/SPLIT CONTROL CONTACT



SPLIT CONTROL CONTACT

Split Auxiliary Control Contact completes circuit
only when Plug is 80-90% engaged.

- Can be custom engineered to application
- DC version -- R72GNE
- AC version -- R67GSNE

N designates cable size and configuration

ANDERSON AIRMOTIVE PRODUCTS Co., Inc.

994 Jefferson Street, Fall River, MA 02721 · Tel. (508) 646-0950 / Fax (508) 646-0966