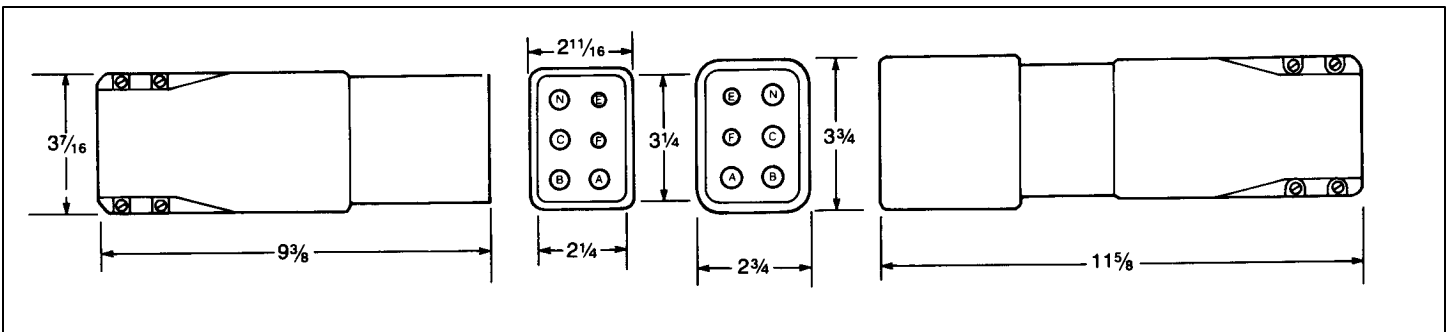


ATTACHABLE™ 6-POLE

Attachable Portable Plugs and Receptacles, 6 Pole, R67 and R112 Series



The ATTACHABLE Portable Plugs and Receptacles are molded of Hypalon*, a compound specially selected for its resistance to moisture and chemicals as well as its ability to stand up under severe wear and tear. Power contacts are of machined copper, silver-plated to reduce contact resistance. Contact lugs may be either crimped or soldered to cables. The ATTACHABLE Plugs and Receptacles are manufactured to MS25486 specifications.

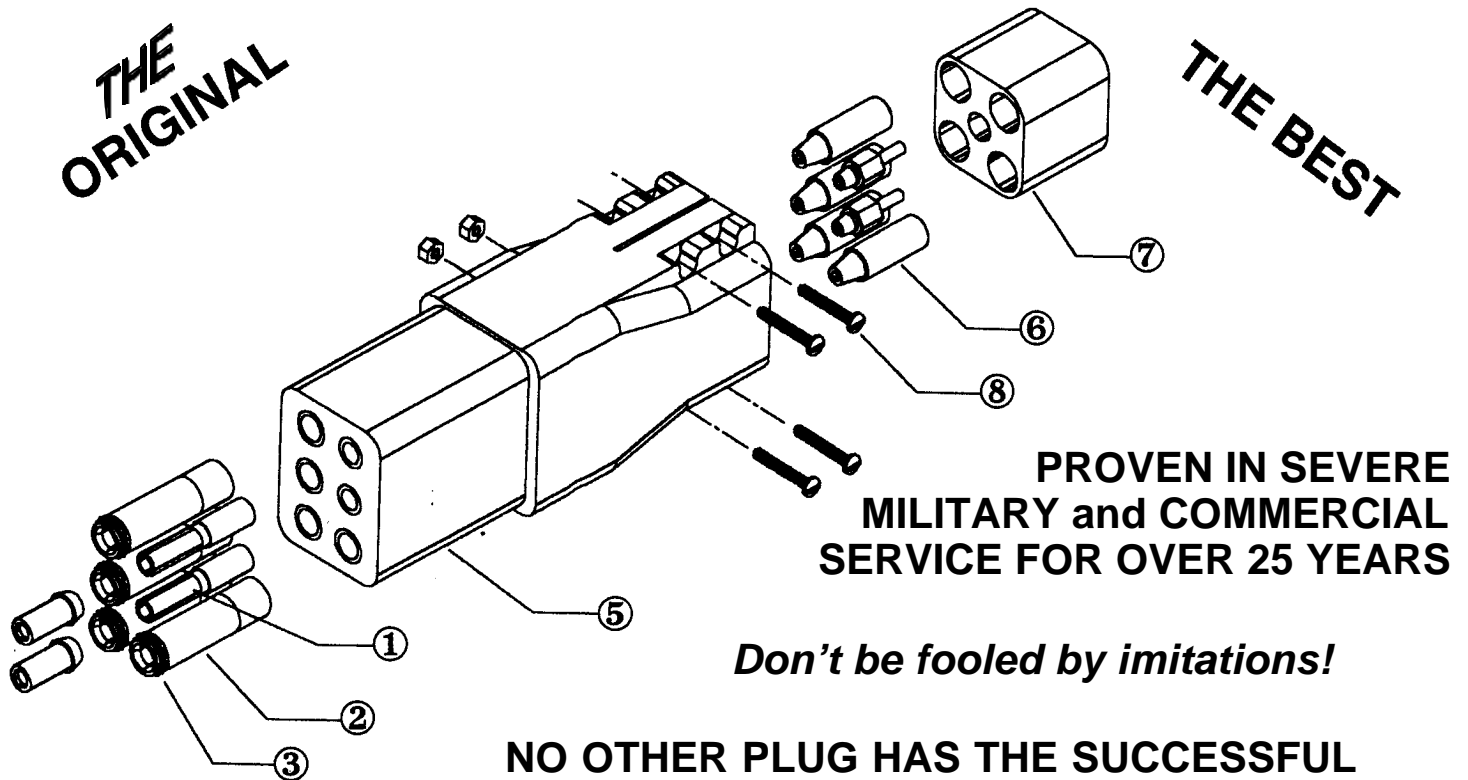
The R67 series plugs mate with either the R112 series of Portable Receptacles or with the fixed receptacles. Portable Receptacles are particularly useful where a portable connection is required or for extending existing cable assemblies.

Six-pole ATTACHABLE Portable Plugs and Receptacles may be furnished in many combinations of power and control contacts, cable sizes and internal wiring arrangements.

*du Pont

REPLACEABLE CONTACT ATTACHABLE® PLUG

400 HZ 11 0/220V AC



NO OTHER PLUG HAS THE SUCCESSFUL HISTORY OF THE ORIGINAL ANDERSON ATTACHABLE® PLUG

ADVANTAGES

- Extra Rugged design proven over many years of service
- Affordable-make your own or repair cable assemblies on line.
- Silver plated quad beam copper contacts 1,2, 3, 4 are precisely set to insure consistent mating forces over thousands of cycles.
- Floating contacts have Stainless Steel springs 2, 3 engineered to hold even on undersize pins and under extreme temperatures and loading.
- Effective water seal is formed by cable grommet 7 and imbedded steel straps 8.
- Plug body® is molded from specially formulated high quality Hypolon rubber with superior abrasion and chemical resistance.

Get the *ANDERSON* Advantage by ordering: R67GXXB

® Attachable is a registered trademark of Anderson Airmotive Products Co., Inc.

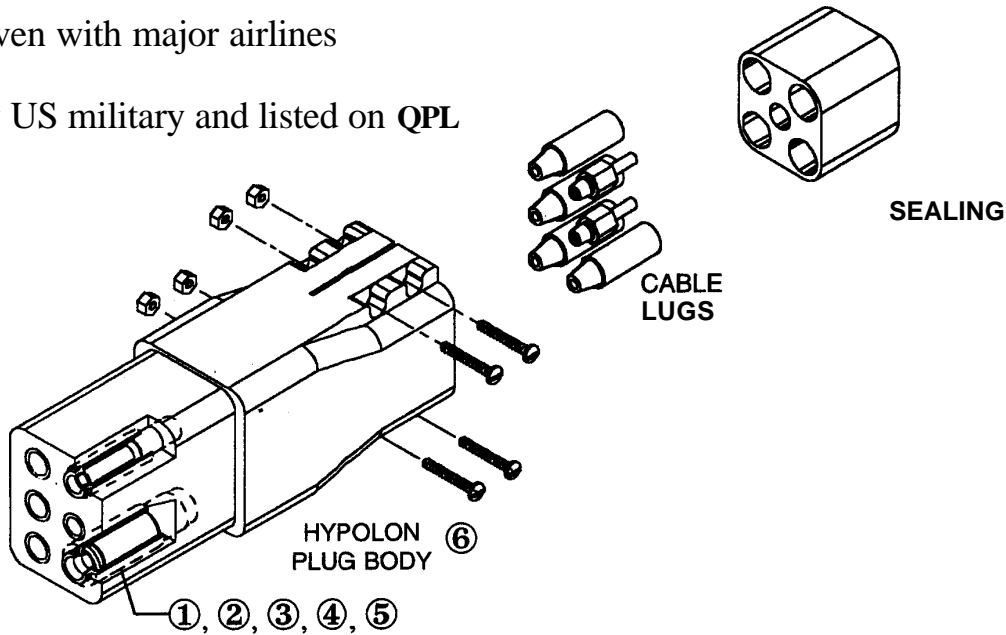
GRABBER CONTACT

400 Hz 110/220V AC Connector

ATTACHABLE®

Make new or repair cable assemblies with the Rugged “Grabber Contact” ATTACHABLE® Plugs.

- Service proven with major airlines
- Approved by US military and listed on QPL



- Longer lasting than ordinary plugs or noses
- Extra safety and durability built in

SAFETY FEATURES

1. Fingerproof insulators (per ISO stds) to prevent accidental touching of power contacts.
2. Extra insulation for greater internal hi-pot resistance.
3. Molded-in watertight power contacts will not arc even if wet.
4. Extra tough and long lasting thread lock on lug screws hold tight during cyclic heating and cooling.

DURABILITY AND RELIABILITY FEATURES

5. Patent Pending contact system has self-aligning contacts that compensate for part to part variations and movement caused by structural loading.
 - Engineered non-corrosive springs insure excellent contact even after thousands of cycles in actual service.
 - Quad beam construction insures good electrical contact even with off-center loads.
 - Gentle lead-in angle protects receptacle pins and promotes long receptacle life.
 - Built-in stress sleeves limit contact deflection.
 - Silver-plated solid copper contacts assure low power loss and lower heat generation.
 - Contact system is designed to eliminate material stress relaxation.
6. Body is made of special hi-grade ozone resistant Hypolon rubber for superior wear.
 - Connector is engineered for resistance to crushing forces.
 - No special tools required for assembly.

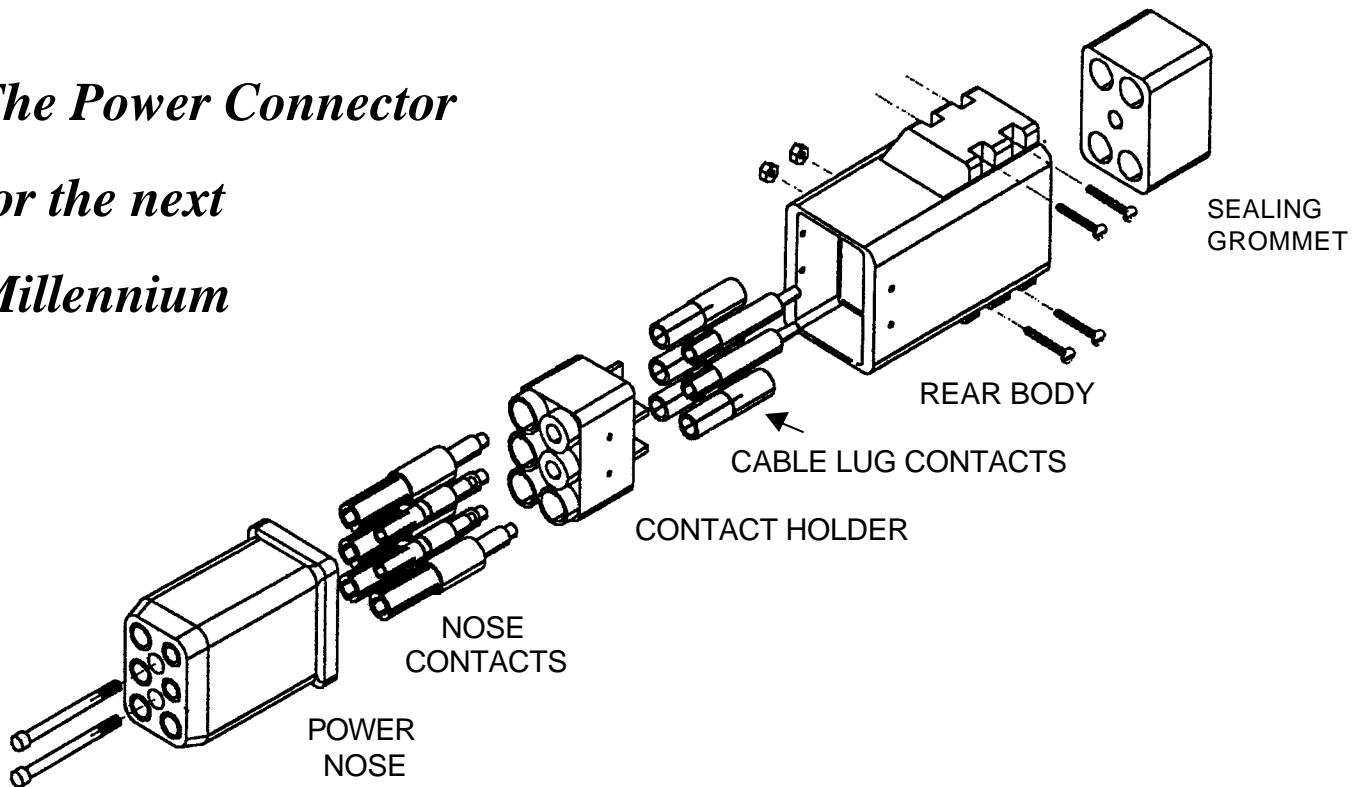
5

APN

ATTACHABLE POWER NOSE®

400 Hz 110/220V AC Connector®

*The Power Connector
for the next
Millennium*



Modular Components can be replaced quickly

Triple sealed against moisture

High abrasion resistant special rubber

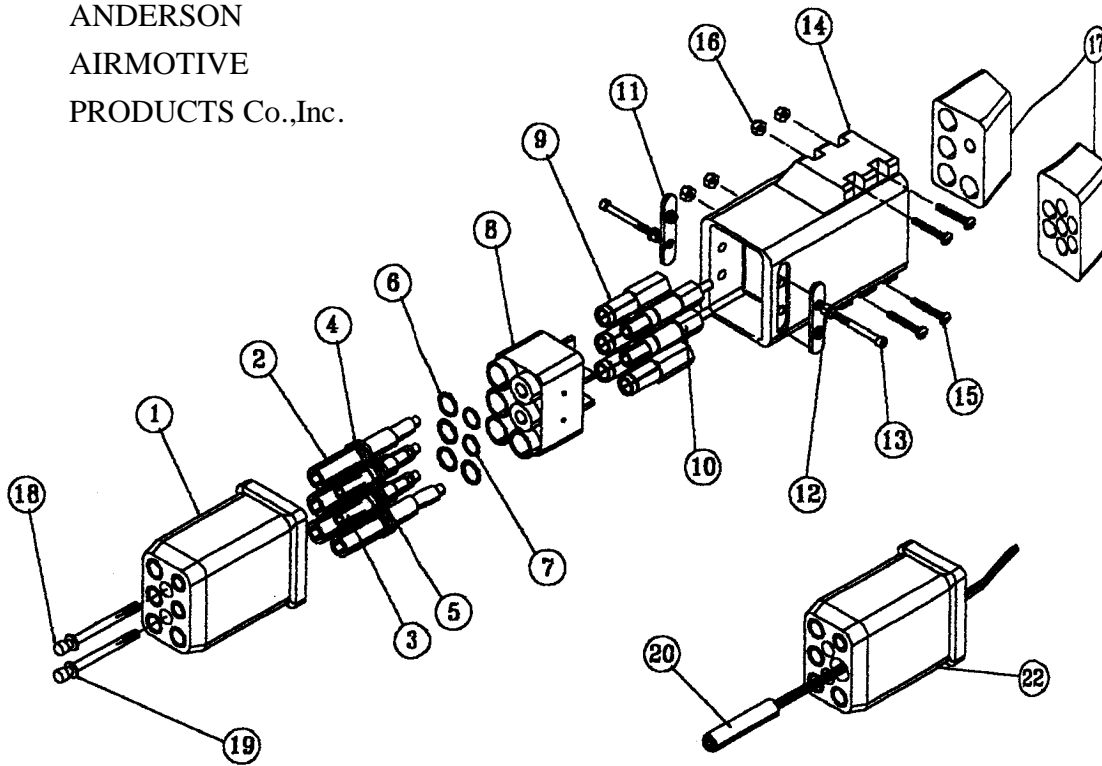
Made to fit all planes-tapered extra long nose

Quick, easy assembly of all components

Rugged Grabber® Contacts service proven insure long life

Get the Anderson Advantage by ordering: R90GxxE




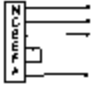

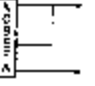
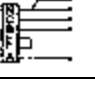




ANDERSON
 AIRMOTIVE
 PRODUCTS Co.,Inc.



ANDERSON AIRMOTIVE PRODUCTS			
ATTACHABLE POWER NOSE			
ITEM NUMBER PARENT	ITEM NUMBER	ITEM DESCRIPTION	QUANTITY REQUIRED
1	AAP00217D Rev5	NOSE ASSEMBLY	
2	AAP00225A Rev 2	CONTACT, POWER	4
3	AAP00224A Rev 2	CONTACT, AUXILIARY	2
4	AS568A-114	O-RING, POWER	4
5	AS568A-204	O-RING, AUXILIARY	2
6	MM-C#98410A126	RETAINING-RING, POWER,5/8 EXT	4
7	MM-C#98410A124	RETAINING-RING, AUX. 9/16 EXT	2
8	AAP00248	HOLDER ASSEMBLY	
9	AAP00219 Rev 5	SOLDER LUG, POWER	4
10	AAP00220A Rev 3	SOLDER LUG, AUXILIARY	2
11	AAP00222 Rev 1	YOKE ASSEMBLY	2
12	AAP00223 Rev 1	FERRULE	2
13	AAP00226 Rev 1	SCREW, SPECIAL, 10-32	2
14	AAP00221A Rev 5	BODY ASSEMBLY	
15		SCREW	4
16		NUT	4
17	IP0128P**	SEALING GROMMET	1
18	AAP00227	SCREW, (1/4-20)	2
19		WASHER, 1/4 FLAT	2
20	120000G3	SENSING LEAD (REMOVABLE)	1
21	AAP00287 Rev 1	SENSING LEAD HOLDER	1
22	AAP00404	SENSING LEAD NOSE ASSEMBLY	1

APN ASSEMBLY SHEET

Ordering Information, 6 Pole, R67 and R112 Series

Schematic  Power Contacts A, B, C, N Control Contacts E, F	Catalog No. Portable Plug 	Cable Accommodations	Catalog No. Portable Receptacle 
	R67G4B, E	Four #1/0 Single Conductor MIL-C-5756	R112G4E
	R67G7B, E	Four #2/0 Single Conductor WELDING	R112G7E
	R67G11 B, E	One #12 Four Conductor MIL-C-5756	R112G11E
	R67G13B,E	Four #6 Single Conductor WELDING	R112G13E
	R67G18B, E	One #2 Four Conductor TYPE W	R112G18E
	R67G19B, E	One #6 Four Conductor TYPE W	R112G19E
	R67G21B, E	Four #2/0 Single Conductor MIL-C-5756	R112G21E
	R67G5B,E	Four #1/0 Single Conductor and One #12 Twin Conductor MIL-C-5756	R112G5E
	R67G12B,E	Four #4 Single Conductor and One #12 Twin Conductor MIL-C-5756	R112G12E
	R67G16B,E	Four #6 Single Conductor and One #12 Twin Conductor MIL-C-5756	R112G16E
	R67G20B, E	Four #2/0 Single Conductor WELDING and One #12 Twin Conductor	R112G20E
	R67G26B, E	Three 53MCM Insulated Power Conductors; One 33MCM Uninsulated Ground Wire TYPE CVSF, MIL-C-915	R112G26E
	R67G36B,E	Four #2/0 Single Conductor and One #12 Twin Conductor MIL-C-5756	R112G36E
	R67G8B, E	Two #2 Single Conductor MIL-C-5756	R112G8E
	R67G9B, E	Two #1/0 Single Conductor MIL-C-5756	R112G9E
	R67G10B, E	One #1/0 Twin Conductor Oval MIL-C-5756	R112G10E
	R67G15B,E	One Three Conductor #2 TYPE G with Three #8 Wires	R112G15E
	R67G17B, E	One Three Conductor #2/0 TYPE G with Three #5 Wires	R112G17E
	R67G3B, E	Two #1/0 and Two #12 Conductors Under Single Oval Sheath	R112G3E
	R67G6B, E	Two #1/0 Single Conductor MIL-C-5756	R112G6E
	R67G14B,E	Two #4 Single Conductor MIL-C-5756	R112G14E
	R67G27B, E	One #10 Five Conductor (.750" O.D.)	R112G27E
	R67G37B, E	One #10 Five Conductor (.950" O.D.)	R112G37E

This is a representative list only. Consult factory for specific other cable sizes and configurations.